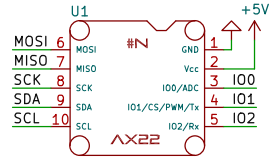
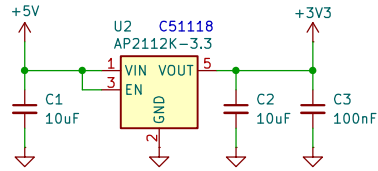


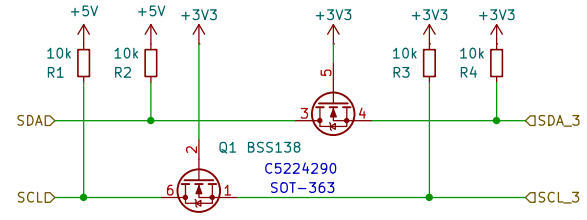
AX22 - MODULE



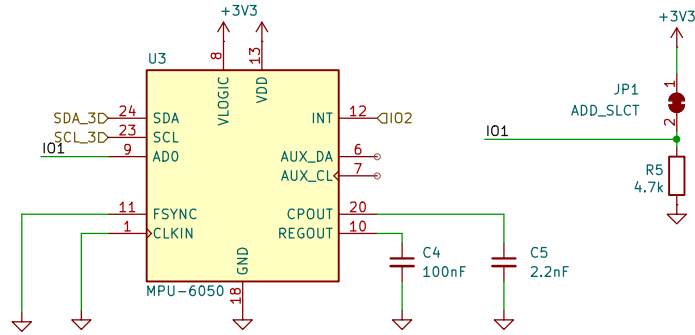
LDO



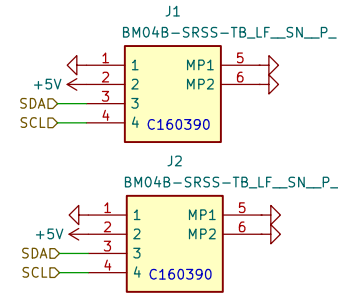
LOGIC



I2C DEVICE



STEMMA QT



Axiometa

Sheet: /

File: AX22_Accelerometer-MPU6050.kicad_sch

Title: AX22-0030-Accelerometer MPU6050

Size: A4

Date: 2025-04-02

Rev: 1

KiCad E.D.A. 9.0.2

Id: 1/1